

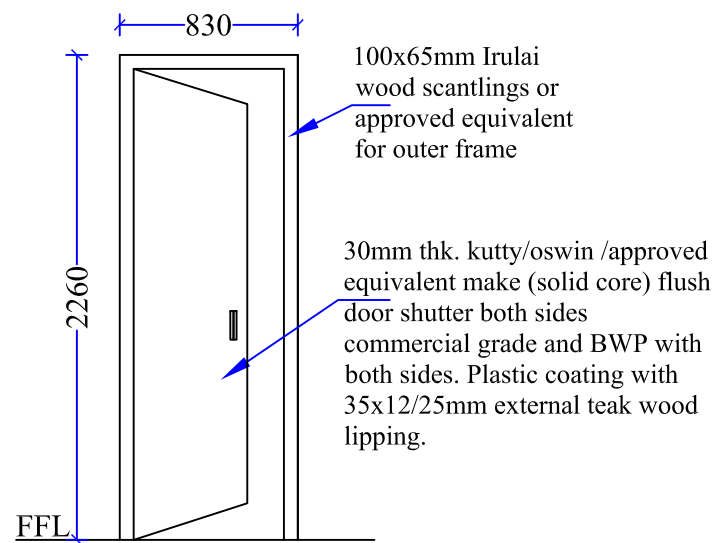
FLUSH DOOR

DI - 1000 x 2100

SCHEDULE ITEM NO: 50(a)

Furniture fittings:

1. M.S.Holdfast 150x50x6mm - 6Nos.
2. 230x12mm long Alu.towerbolt - 1No.
3. 150mm long Alu.Hinges with screws - 4Nos.
4. Door bush (Nylon) - 1No.
5. 100mm Alu.door stopper with double rod - 1No.
6. 250x16mm alu.aldrop bolt with screws - 1No.
7. 150mm long Alu.D-type handle (in/out side)- 2Nos.



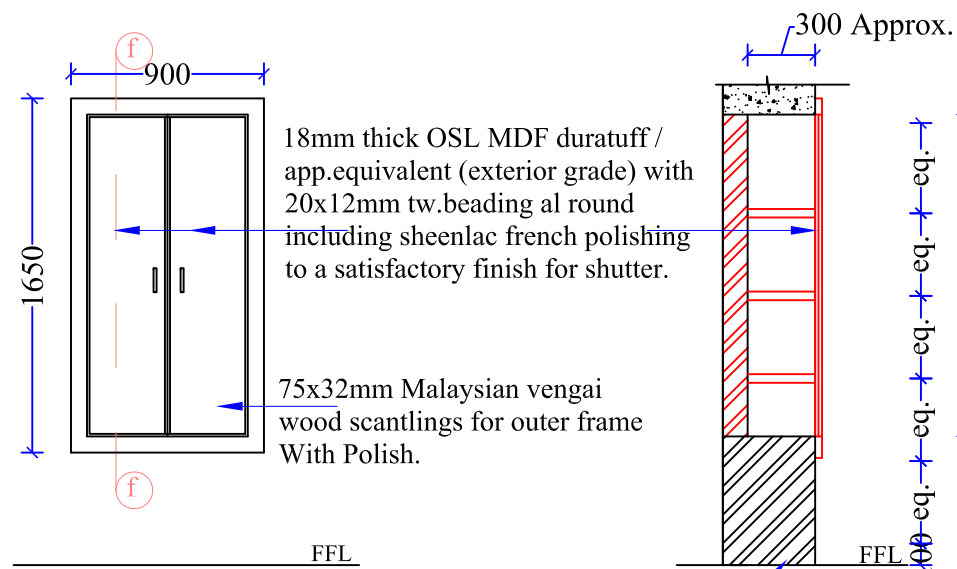
TOILET DOOR

Door Size: 830x2260mm-D2

Schedule item no: 50(b)

Furniture fittings:

1. M.S.Holdfast 150x50x6mm - 6Nos.
2. 150x12mm long Alu.towerbolt (in side) - 1No.
3. 150mm long Alu.Hinges with screws - 4Nos.
4. Door bush (Nylon) - 1No.
5. 150mm long Alu.D-type handle (in/out side)- 2Nos.
6. 250x16mm alu.aldrop bolt with screws (out side) - 1No.



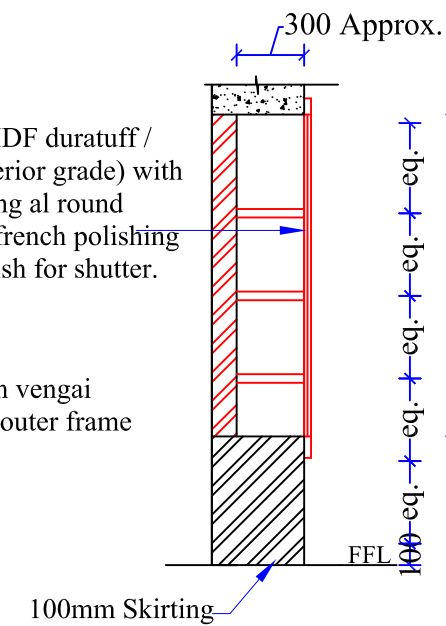
CB3-900x1650

SCHEDULE ITEM NO: 51(c)

FURNITURE Fittings For

CB one unit two shutters

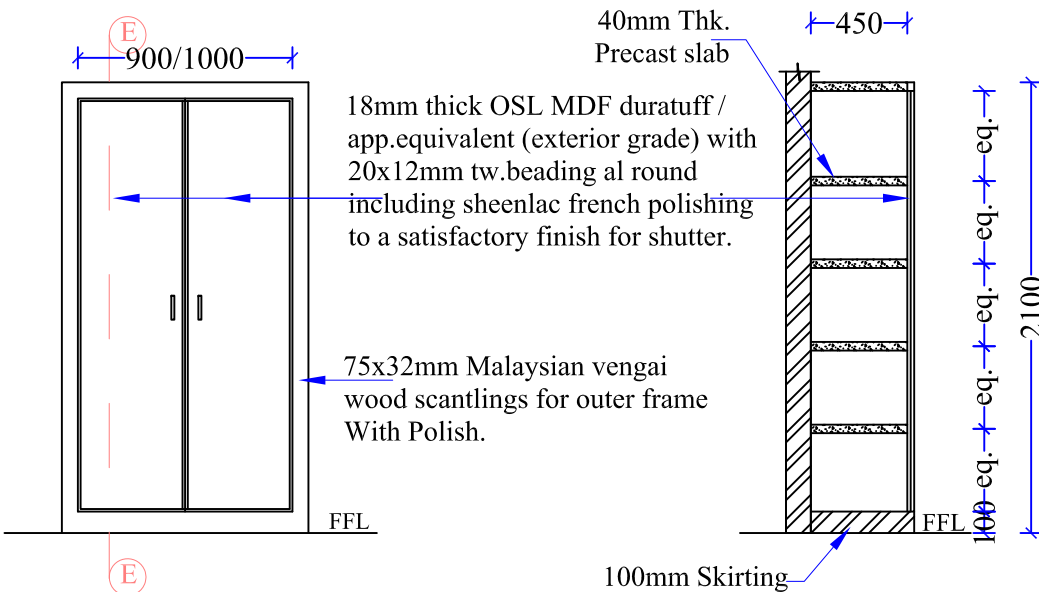
1. 100mm long SS Cut Hinges - 8Nos.
2. SS Handle 150mm "D" Type - 2Nos.
3. Pad lock - 1Nos.
4. Magnatic Catcher - 3Nos.
5. 75mm SS Tower Bolt - 1No.



SECTION - 'FF'

NOTE:

1. All dimensions are in mm.
2. All alu. fittings are of ISI make. unless otherwise mentioned.
3. All wood are free from knots & whites of first quality.
4. 1.5mm planing tolerance on each wrought face is permitted.
5. All sizes mentioned are approximate to suit site conditions and as per actual measurements.
6. MDF OSL./BSL. Board material shall be of duratuff exterior grade or equivalent make.
7. All exposed teak wood beadings are to be polished with sheenlac french polishing to a satisfactory finish.
8. All glass items mentioned are of modi / approved equivalent make.



SECTION - 'EE'

SECTION - 'EE'

SCHEDULE ITEM NO: 51(a)&(b)

FURNITURE Fittings For

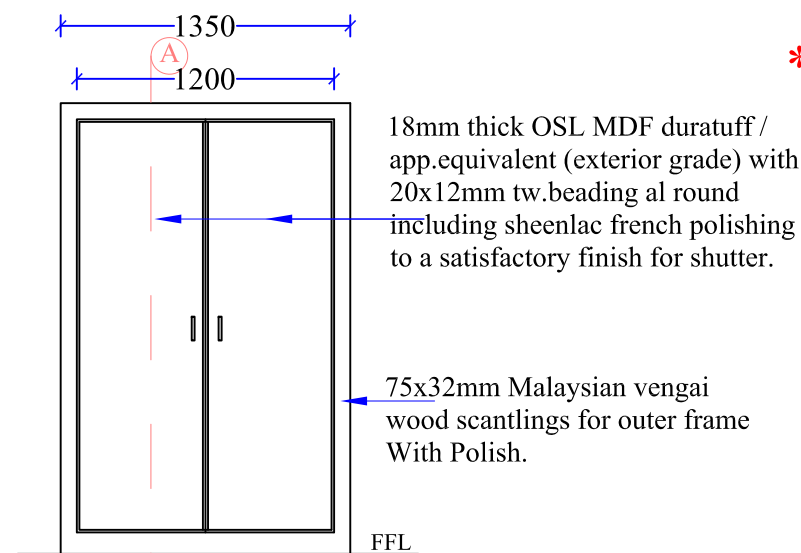
CB one unit two shutters

1. 100mm long SS Cut Hinges - 8Nos.
2. SS Handle 150mm "D" Type - 2Nos.
3. Pad lock - 1Nos.
4. Magnatic Catcher - 3Nos.
5. 75mm SS Tower Bolt - 1No.

CB1-900x2100

CB2-1000x2100

ELEVATION



CB4a-1350x2100

CB4b-750x2100

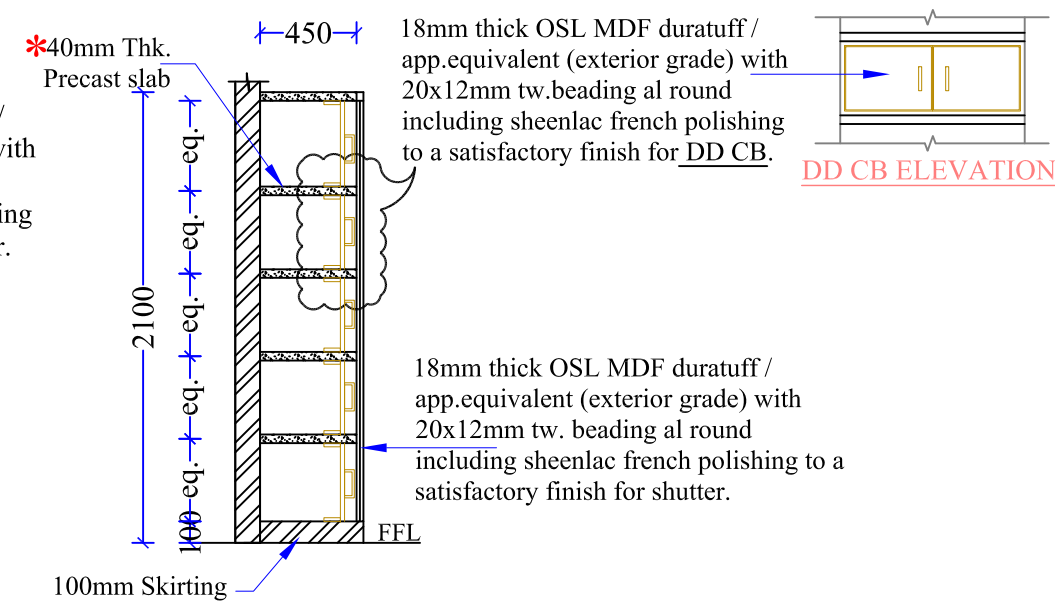
ELEVATION

SCHEDULE ITEM NO: 51(d)&(e)

Fittings for - DD CB:

(ISI Make) for one unit two shutters - Typical

1. 75mm long S.S. hinges with screws - 4nos.
2. S.S. brush finish Handle 75mm long 'D' type make - Hafele / Ebco. - 2nos.
3. 100mm ep brass hasp & staple - 1no.
4. Magnetic catcher - 2 nos..



SECTION - 'CC'

DD CB ELEVATION

TENDER PURPOSE ONLY

CHRISTIAN MEDICAL COLLEGE-VELLORE

PROPOSED MODIFICATION OF M WARD GROUND FLOOR FOR GASTROENTEROLOGY AT CMC TOWN CAMPUS.

WOODEN DOOR & CUPBOARD DETAILS

CHECKED : D.G	DATE : 23.04.2024	SCALE : NTS.
DRAWN : JANE	DWG.NO: CMC/GS/J-03	PLANNING ENGINEER: